

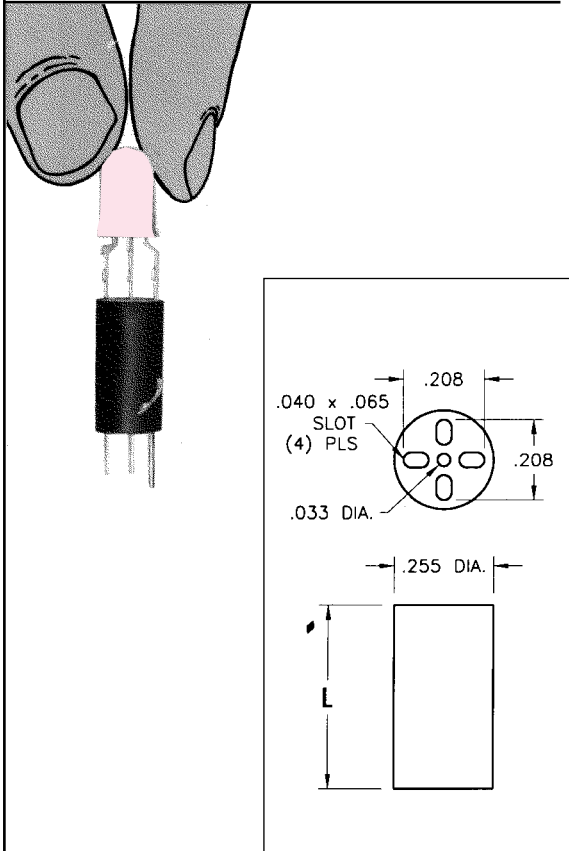
LED SPACER MOUNTS

Designers' Choice



"UNIVERSAL" FOR TRI-LEAD T-1 & T-1 3/4

- Unique design separates leads and retains Tri-Lead (and/or Bi-Lead) components
- Designed for PC board mounting of Tri-Lead (and/or Bi-Lead) T-1 and T-1^{3/4} LEDs
- Provides height control, lead retention and stability
- Also suitable for mounting lamps, resistors, transistors, diodes, capacitors, etc.



MATERIAL: Black PVC, UL Rated 94V-0

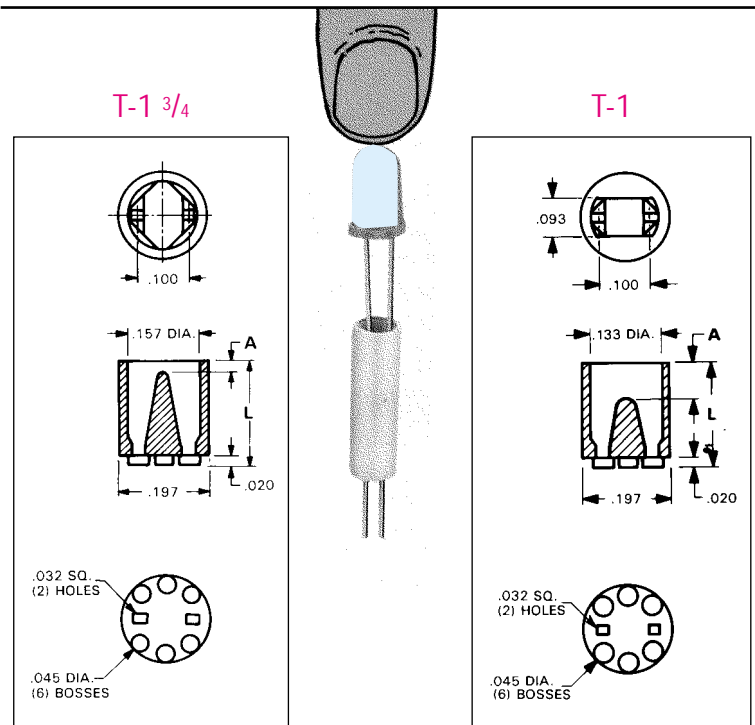
T-1 ^{3/4} and T-1			
CAT. NO.	LENGTH "L"	CAT. NO.	LENGTH "L"
8900	.120	8916	.400
8901	.140	8917	.420
8902	.160	8918	.440
8903	.180	8919	.450
8904	.200	8920	.460
8905	.220	8921	.480
8906	.240	8922	.500
8907	.250	8923	.550
8908	.260	8924	.600
8909	.280	8925	.650
8910	.300	8926	.700
8911	.320	8927	.750
8912	.340	8928	.800
8913	.350	8929	.850
8914	.360	8930	.900
8915	.380	8931	.925

"SELF-ALIGNING" FOR BI-LEAD T-1 & T-1 3/4

- These unique, new self-aligning Bi-Lead LED mounting spacers, for T-1 and T-1^{3/4} LEDs, reduce labor costs by simplifying preassembly to the printed circuit board
- The spacer features an internally tapered barrier which guides the leads and eliminates the possibility of crimping or shorting. The internal configuration also assures positive self-alignment on .100 centers
- The bosses serve the dual purpose of heat dissipation and easy post soldering cleanup
- Available in a range of lengths from .120 to .925 long. Molded from 6/6 nylon, UL Rated 94V-2

Key Features...

- Internal design eliminates crimping or shorting of leads
- Positive self-alignment of leads on .100 centers
- Cost and labor saving
- No special tools required



MATERIAL: Natural Nylon, UL Rated 94V-2

T-1 ^{3/4}		T-1		T-1 ^{3/4}		T-1	
CAT. NO.	CAT. NO.	LENGTH "L"	"A" REF.	CAT. NO.	CAT. NO.	LENGTH "L"	"A" REF.
8311	7351	.120	.045	8327	7367	.400	.075
8312	7352	.140	.065	8328	7368	.420	.095
8313	7353	.160	.085	8329	7369	.440	.115
8314	7354	.180	.105	8330	7370	.450	.120
8315	7355	.200	.125	8331	7371	.460	.135
8316	7356	.220	.145	8332	7372	.480	.145
8317	7357	.240	.045	8333	7373	.500	.055
8318	7358	.250	.060	8334	7374	.550	.095
8319	7359	.260	.065	8335	7375	.600	.150
8320	7360	.280	.090	8336	7376	.650	.075
8321	7361	.300	.110	8337	7377	.700	.120
8322	7362	.320	.120	8338	7378	.750	.055
8323	7363	.340	.140	8339	7379	.800	.110
8324	7364	.350	.150	8340	7380	.850	.160
8325	7365	.360	.160	8341	7381	.900	.200
8326	7366	.380	.060	8342	7382	.925	.230